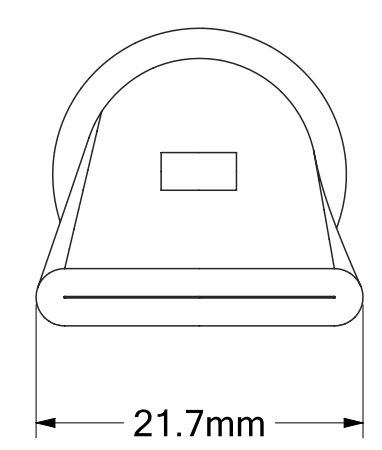
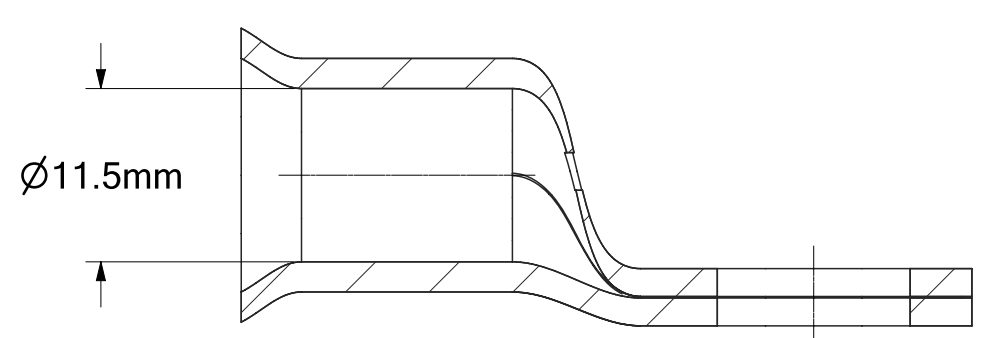
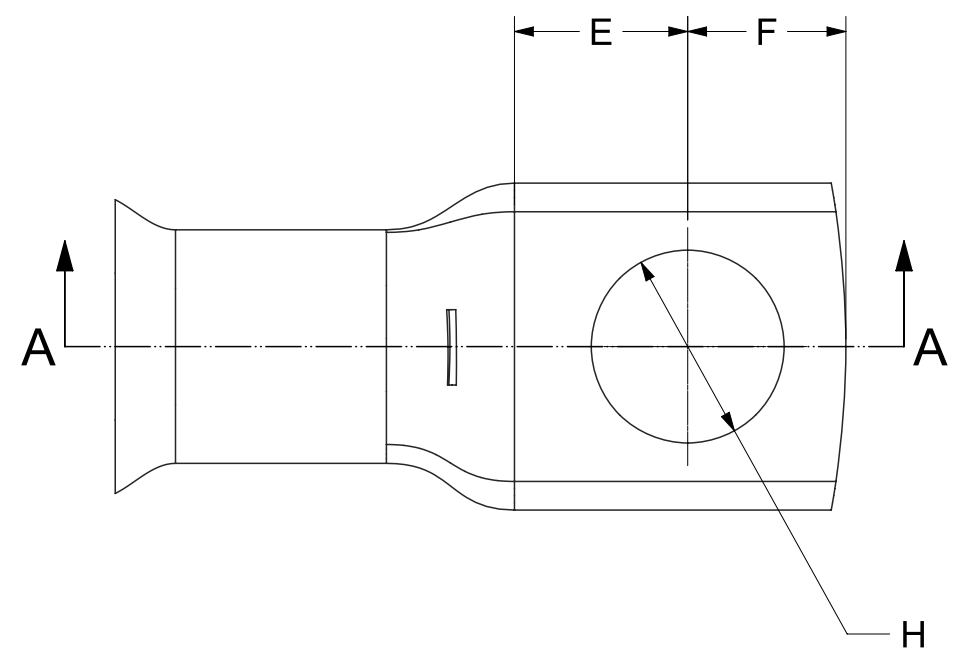


REVISION HISTORY	
1	Original Concept
2	Hidden lines removed for clarity
3	Revision created for .pdf clarity
4	Table update



PART NO.	H (mm)	E (mm)	F(mm)
TCHD-70-0	0	12	10
TCHD-70-6	6.5	9.5	8.5
TCHD-70-8	8.5	9.5	8.5
TCHD-70-10	10.5	12	10
TCHD-70-12	13.0	12	10
TCHD-70-14	15.0	17	15.5
TCHD-70-16	16.5	17	15.5

SECTION A-A

UOS - LINEAR TOLERANCE PERMISSABLE DEVIATIONS FOR SIZE RANGE:
Tolerances according to DIN ISO 2768 (V)

DIMS IN MM	0.5 to 3	> 3 to 6	> 6 to 30	> 30 to 120	> 120 to 400	> 400 to 1000	> 1000 to 2000	> 2000 to 4000
	±0.5	±1.0	±1.5	±2.5	±4.0	±6.0	±8.0	

TOTAL CONNECTIONS
2009

Total Connections 2009 LTD

www.tc2009.co.uk
sales@tc2009.co.uk
Tel 01249 812 707

Drawing No. TCDR1901

Part No. TCHD-70-RANGE

Material. CW024A (C106) COPPER

Finish. 5MICRON ELECTRO TIN PLATED

SIZE A3 Date 19/10/2021 Created By: Dan Hewlett REV 4

SCALE 2:1 SHEET 1 of 1